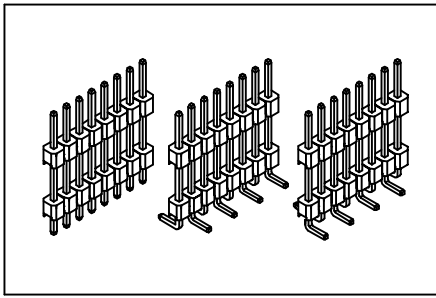


Pin Header 2.54mm(0.100")

GXCON



Features:

- * Dual insulators offer high versatility.
- * Side-to-side and end-to-end stackable.
- * Custom design provides excellent products flexibility.

Material:

Housing: 30% Glass filled PBT UL94V-0 for DIP Type.

High temperature housing withstands

IR and VPR soldering methods for SMD Type.

Contacts: Brass.

Plating: Gold plated over nickel.

Tin plated over nickel.

Electrical Characteristics:

Current Rating: 1 AMP.

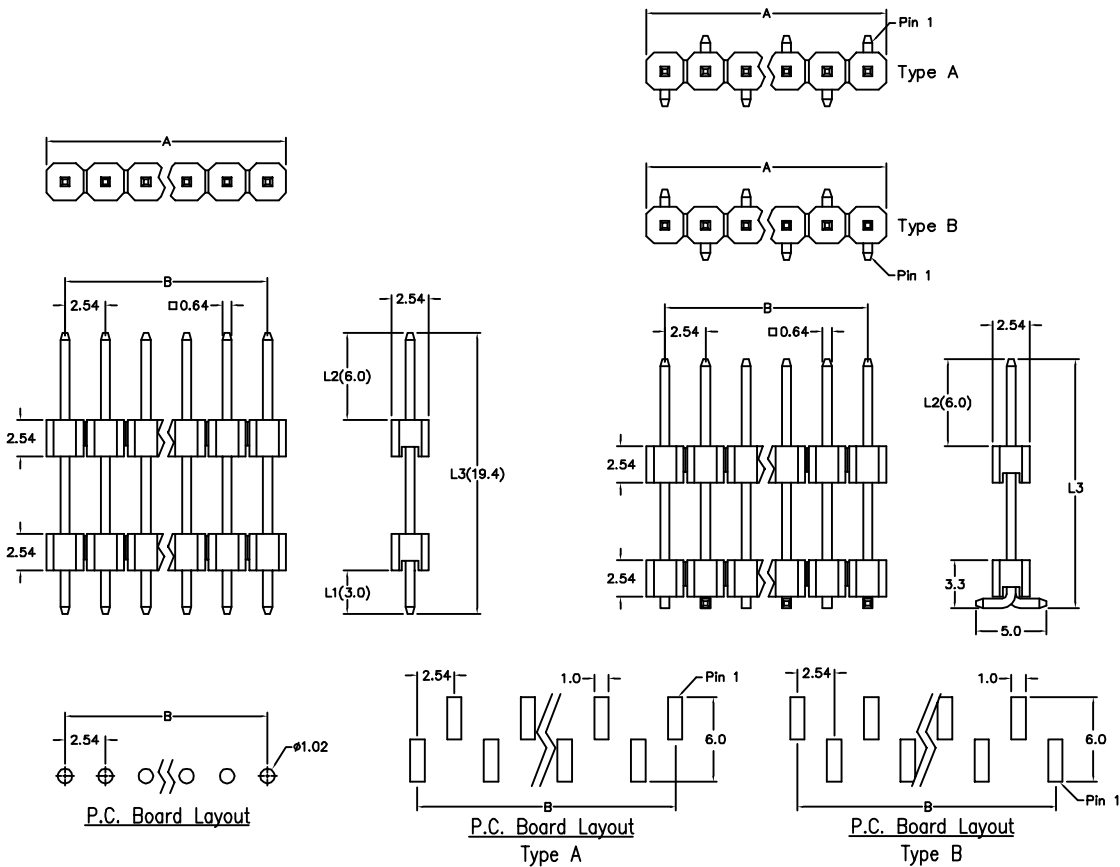
Insulator Resistance: 5000M Ω min. at DC 500V.

Contact Resistance: 20m Ω max. at DC 100mA.

Operating Temperature: -55°C~+105°C for DIP Type.

-65°C~+125°C for SMD Type.

Max Processing Temperature: 230°C for 30~60 seconds.



Position	2 Thru 40
Dimension	
A	2.54 X No. of Positions
B	2.54 X No. of Positions - 2.54

Ordering information

PH02- 1 40 1 1 A /L1 /L2 /L3
 Series Single Row No.of Pin Per Row 1: Gold Plated 1: Straight A: Type A Foot Print
 2: Tin Plated 3: S.M.D Type B: Type B Foot Print
 Custom Design: Straight (i.e. PK02-14011/L1 /L2 /L3)
 Surface mount (i.e. PH02-14013A/L2 /L3)